

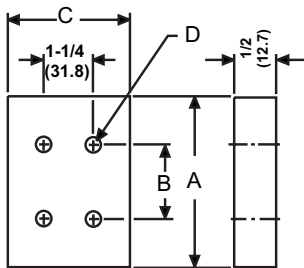
### Steel Mounting Bars, Brackets & Plates to Simplify Installation of MD, MSP, & MX Divider Valves

## MOUNTING BARS

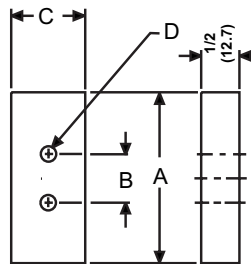
Cold finished, 1/2" (12.7 mm) thick bars are designed for welding to uneven metal surfaces. Tapped holes are provided for mounting the divider valves.



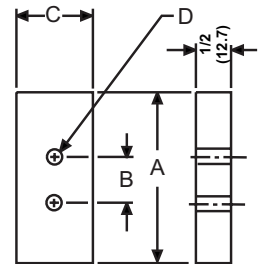
MD Divider Valve Mounting Bar, Part No. 543-602-000



MSP & MH Divider Valve Mounting Bar, Part No. 527-002-260



MJ, Part No. 543-604-000, and MX, Part No. 543-605-000 Divider Valve Mounting Bars

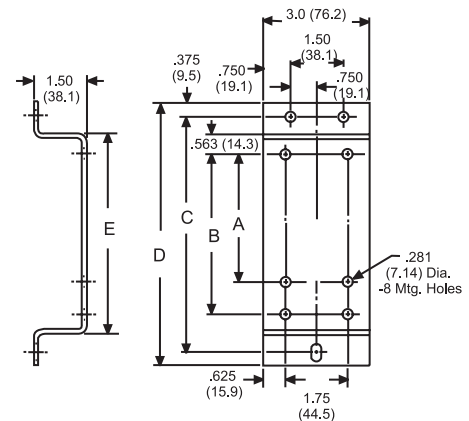
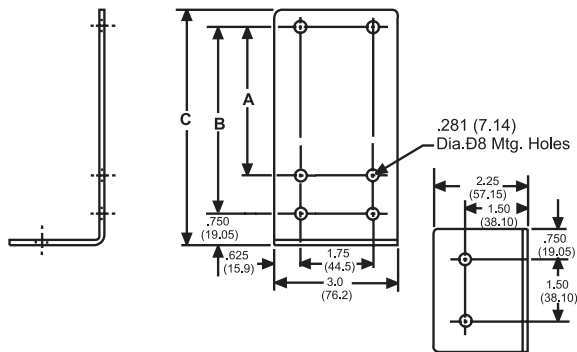


Mounting Bars for MD, MSP, MJ and MX Divider Valves

MSP Mounting Bar Kit No. 527-004-980 includes 2 mounting bars, 4 screws, washers and lockwashers.

## MOUNTING BRACKETS

Cold rolled steel brackets, 1/8" (3.175 mm) thick, are plated to resist corrosion. Holes in bracket are provided for mounting the bracket to the equipment and the divider valve to the bracket. Each bracket is shipped with the screws, lockwashers and nuts necessary to mount the divider valve to the bracket.



Top Mounting Brackets for MSP & MH Divider Valves

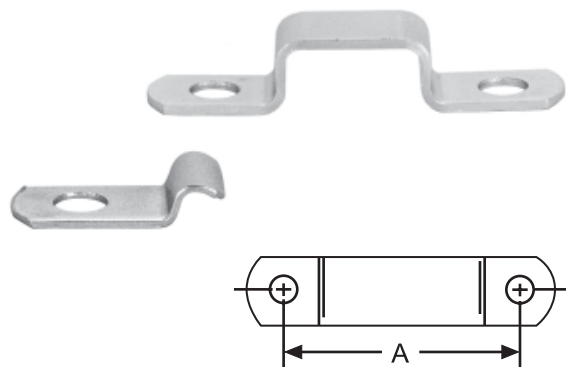
For Divider Valve Model	Dimensions/inches (mm)			Order Part No.
	A	B	C	
MSP & MH M-3 & 4	3-37/64 (90.9)	4-1/2 (114.3)	5-21/32 (143.7)	527-002-010
MSP & MH M-5 & 6	5-27/64 (137.7)	6-11/32 (161.1)	7-1/2 (190.5)	527-002-020
MSP & MH M-7 & 8	7-17/64 (184.5)	8-3/16 (208.0)	9-11.32 (237.3)	527-002-030

Side Mounting Brackets for MSP & MH Divider Valves

For Divider Valve Model	Dimensions/inches (mm)					Order Part No.
	A	B	C	D	E	
MSP & MH M-3 & 4	3-37/64 (90.9)	4-1/2 (114.3)	6-5/8 (168.3)	7-3/8 (187.3)	5-5/8 (142.9)	527-002-040
MSP & MH M-5 & 6	5-27/64 (137.7)	6-11/32 (161.1)	8-15/32 (215.1)	9-7/32 (234.2)	7-15/32 (189.7)	527-002-050
MSP & MH M-7 & 8	7-17/64 (184.5)	8-3/16 (208.0)	10-5/16 (262.0)	11-1/16 (281.0)	9-5/16 (236.5)	527-002-060

**Clips for 3/16", 1/4 and 3/8" (4.76, 6.35 & 9.525mm) OD tube.**

All clips are plated and provided with 17/64" (6.75mm) mounting holes.



**Also available:**

Item	Order Part No.
Self-tapping screws	
10-24 x 1/2 .....	415-150-040
1/4-20 x 1/2 .....	415-210-020

Tube Clips / in (mm)

No. of tubes held	3/16 (4.76) OD Tube		1/4 (6.35) OD Tube		3/8 (9.52) OD Tube	
	Dim. A	Order Part No.	Dim. A	Order Part No.	Dim. A	Order Part No.
1	—	500-971-000	—	500-981-000	—	500-991-000
2	1.37 (34.8)	500-972-000	1.43 (36.3)	500-982-000	1.62 (41.3)	500-992-000
3	1.50 (38.1)	500-973-000	1.62 (41.1)	500-983-000	2.00 (50.8)	500-993-000
4	1.68 (42.7)	500-974-000	1.87 (47.5)	500-984-000	2.37 (60.2)	500-994-000
5	1.75 (44.5)	500-975-000	2.12 (53.8)	500-985-000	—	—
6	2.00 (50.8)	500-976-000	2.37 (60.2)	500-986-000	—	—