

## Pressure Gauges to 10,000 psig...

These gauges from Lubriquip, Inc. are simple, dependable, economical and proven over a wide variety of applications to be accurate to  $\pm 2\%$  over the dial range.

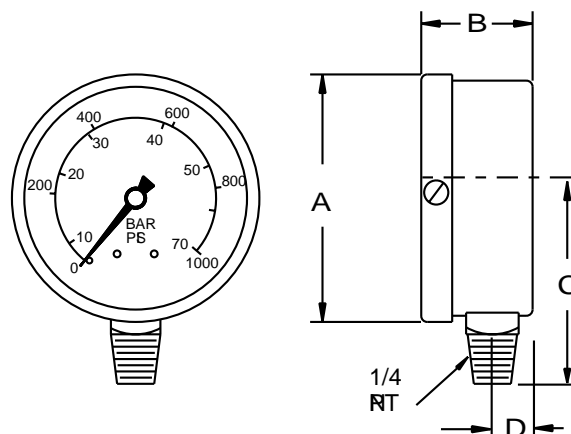
They are recommended for use with grease, oil, air, water or any other medium that will not deteriorate brass.

All are furnished with steel case and brass outlet connection unless noted otherwise.

**NOTE: When any gauge furnished with a threaded snubber for the outlet connection is to be used with grease, the snubber should be removed.**

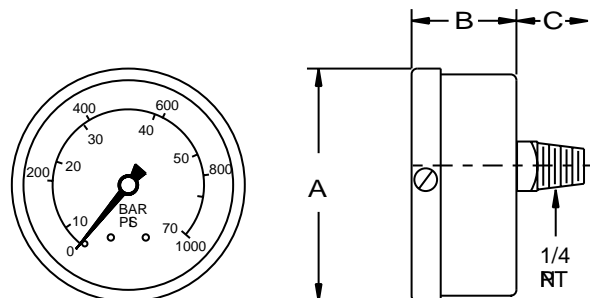
## Pressure Gauges (bottom-mounted)

Dial Range, Psig	Dial Dia. in. (mm)	Dimensions, in. (mm)				Order Part No.
		A	B	C	D	
0-60	2 (50.8)	2-1/16 (52.4)	1-1/16 (26.9)	1-5/8 (41.3)	3/8 (9.5)	540-303-000
0-150	2-1/2 (63.5)	2-23/32 (69)	1-9/32 (32.5)	2-7/32 (56.4)	27/64 (10.7)	540-687-000
0-600	2-1/2 (63.5)	2-23/32 (69)	1-9/32 (32.5)	2-7/32 (56.4)	27/64 (10.7)	540-328-000
0-1,000	2 (50.8)	2-1/16 (52.4)	1-1/16 (26.9)	1-5/8 (41.3)	3/8 (9.5)	534-335-000
0-1,500	2-1/2 (63.5)	2-23/32 (69)	1-9/32 (32.5)	2-7/32 (56.4)	27/64 (10.7)	493-020-025
0-3,000	2 (50.8)	2-1/16 (52.4)	1-1/16 (26.9)	1-5/8 (41.3)	3/8 (9.5)	514-215-001
0-3,000 (A)	2-1/2 (63.5)	2-23/32 (69)	1-9/32 (32.5)	2-7/32 (56.4)	27/64 (10.7)	542-870-000
0-3,000 (C)	2-1/2 (63.5)	2-23/32 (69)	1-9/32 (32.5)	2-7/32 (56.4)	27/64 (10.7)	526-200-300
0-5,000	2 (50.8)	2-1/16 (52.4)	1-1/16 (26.9)	1-5/8 (41.3)	3/8 (9.5)	503-557-001
0-10,000 (A)	2-1/2 (63.5)	2-23/32 (69)	1-9/16 (39.6)	3-7/16 (87.3)	35-64 (13.9)	526-200-310



## Pressure Gauges (back-mounted)

Dia Range, Psig	Dial Dia. in. (mm)	Dimensions, in. (mm)			Order Part No.
		A	B	C	
0-1,000	2 (50.8)	2-3/16 (55.6)	1-3/16 (30.2)	7/8 (22.4)	493-020-198
0-1,500	2 (50.8)	2-3/16 (55.6)	1-3/16 (30.2)	7/8 (22.4)	493-020-227
0-3,000 (B,C)	2-1/2 (63.5)	2-23/32 (69)	1-1/4 (31.8)	7/8 (22.4)	543-711-380
0-3,000	2-1/2 (63.5)	2-23/32 (69)	1-9/32 (32.5)	57/64 (22.6)	543-362-000
0-5,000	2 (50.8)	2-3/16 (55.6)	1-15/64 (31.4)	57/64 (22.6)	511-200-000
0-10,000	2-1/2 (63.5)	2-7/8 (73.2)	1-5/32 (29.5)	1 (25.4)	493-020-206
0-10,000 (A,C)	2-1/2 (63.5)	2-7/8 (73.2)	1-5/32 (29.5)	1 (25.4)	493-020-207



®Registered trademark of LUBRIQUIP, INC.,  
A Unit of IDEX Corporation, Printed in U.S.A.  
B-15326-A02

©LUBRIQUIP, INC., A Unit of IDEX Corporation 1972. All Rights Reserved.