

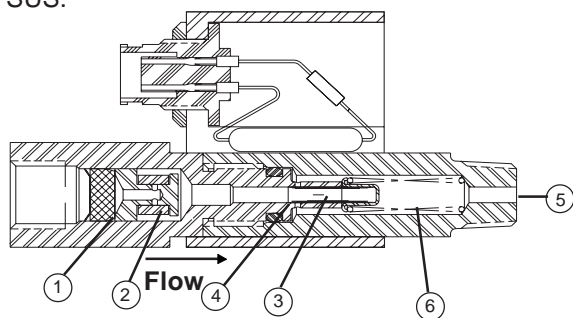
DESCRIPTION

Lube point oil monitor provides an easy method of verifying lubrication of the most critical lube points on a machine. Designed to sense intermittent or continuous lubrication flow at the inlet of the most critical lube points, thus insuring against broken or blocked lubrication lines that could result in excessive losses due to extensive machine down time.

As lubricant passes through the lube point oil monitor an electric signal is generated which can be monitored by a Flexi-Monitor or machine control's lube system monitoring program. A fault signal can then be generated allowing for timely response to avoid damage to critical operating areas on the machine.

FEATURES

- Indicates flow or no-flow in the lube transmission line upstream of the lube point oil monitor.
- Operates under continuous or intermittent lube application.
- Moisture resistant - impervious to coolant.
- Operates at pressures up to 3000 psi (207 bar).
- Provided with 24 ft. of two conductor cable.
- Use with oils within viscosity range of 350 to 15,000 SUS.



OPERATION

The Trabon Lube Point Oil Monitor is composed of a separate hydraulic body and a switch housing attached together. The hydraulic portion consists of a 10 micron filter element, garter type check valve, magnet and return spring. Switch body consists of a reed switch potted in the switch housing.



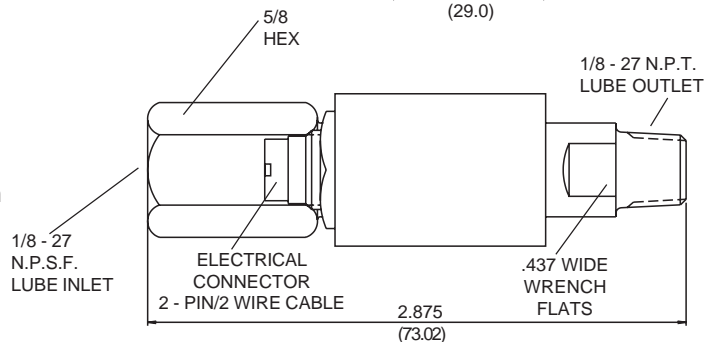
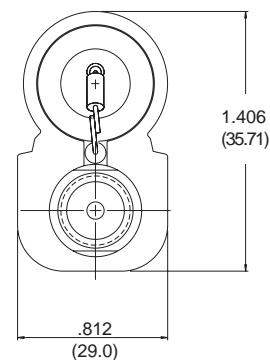
Oil flows through the 10 micron filter (1) and opens the garter check valve (2). The lubricant will then shift the magnet (3) over until the cross port holes (4) are exposed. The movement of the magnet causes the reed-switch contacts to change states, thus providing a difference in the the electrical signal to the controller.

Oil then moves through the cross port, around the spring retainer and out through the outlet port (5) to the point of lubrication.

When flow stops, the spring (6) returns the magnet to its original position and switch contacts change back to their normal state.

DIMENSIONS

Inches (mm)



SPECIFICATIONS

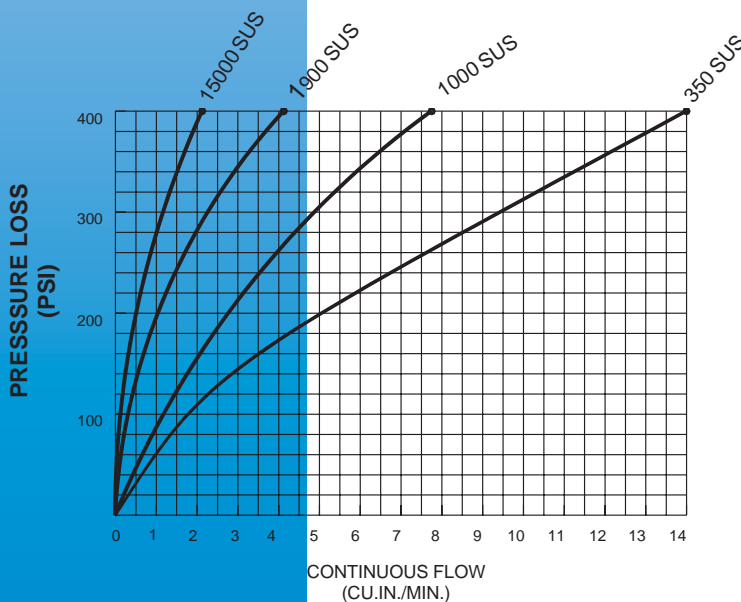
Performance

Max. Operating Pressure 3000 psi (207 bar)
 Oil Viscosity Range 350 to 15,000 SUS
 For Use With Continuous Flow: (See Graph)
 Min. Lube Vol. Input to Cycle: .. .0.004 cu.in³/cycle w/350 SUS oil
 (Must be injected within 5 sec.) 0.003 cu.in³/cycle w/15,000 SUS oil
Note: Oil should be filtered to a minimum cleanliness level of ISO 18/14.
 Max. Reset Time: 40 sec. w/350 SUS oil
 120 sec. w/15,000 SUS oil
 Max. Cycle Rate: 1 cycles/min w/350 SUS oil
 0.5 cycle/min w/15,000 SUS oil
 Max. Lube Suply Line Length: (See Graph)
 Operating Temp. - 20°F (-28.8°C) to 200°F (93.3°C)
 Max. Vibration Level 20g
 Pressure Drop ' (See Graph)

Electric

Max. Switching Voltage 125 VAC
 100 VDC
 Max. Switching current 0.5 AMPS
 Max. Carrying Current 0.75 AMPS
 Power Rating 10 VA
 Switch Contacts (Normally Closed) 456-040-296
 (Normally Open) 456-040-320

OIL FLOW vs PRESSURE LOSS



INSTALLATION

When installing Lube Point Oil Monitor it is recommended to wrench on .437 in. flats near male pipe thread. When this is not possible due to space limitations, wrench on 5/8 hex, but limit torque to 6 - 7 ft. lbs. Do not apply wrench to reed switch housing.

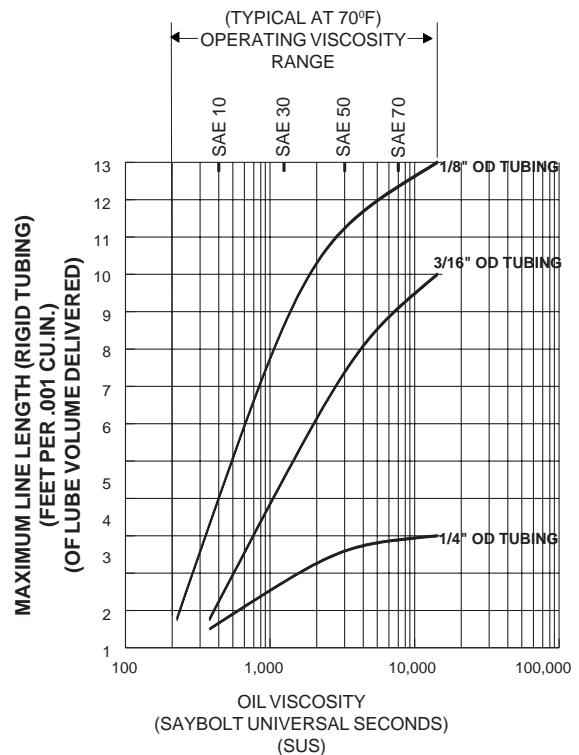
For 120 VAC or other high potential applications, the male pipe thread must be directly installed in a lube port that is at ground potential.

ORDERING INFORMATION

Description	Part Number
Lube pt oil monitor ass'y.....	456-040-296 (N.C.)
Lube pt oil monitor ass'y.....	456-040-320 (N.O.)

Spare Parts

OIL VISCOSITY vs. MAXIMUM LINE LGTH.



2 Conductor cable 24 ft 492-240-164

Example: 500 SUS oil with 3/16" O.D. tubing with .010 cu.in. lube volume. Maximum feed line length = 2 (from chart) x 10 = 20 feet.