

DESCRIPTION

The Trabon Straight and Angle Swivels are available in standard ball bearing or compact types. Primarily designed for medium to high pressure service in centralized oil and grease systems, these swivels provide a simple and inexpensive means of making line connections between either stationary, revolving, or oscillating surfaces. Trabon all-steel plated swivels are available in both 90° angle and 180° straight design; sizes range from 1/8-inch to 1-inch pipe thread. Standard seals are Buna N elastomeric material.

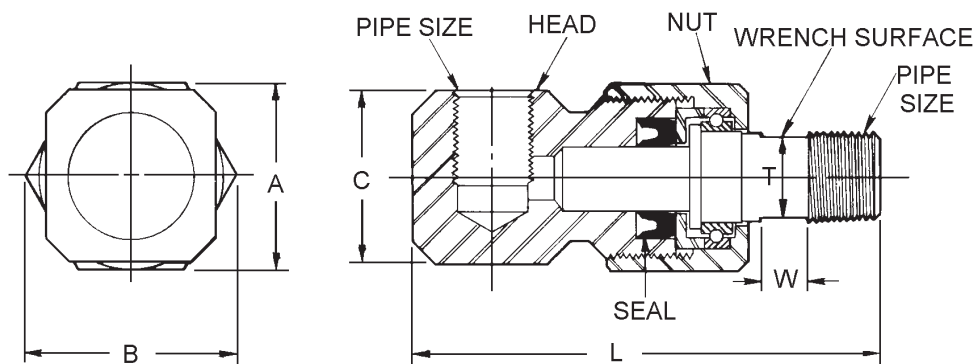
BALL BEARING SWIVELS

The Ball Bearing Swivels turn freely at high pressure without binding and should always be used if space permits. The stems and nuts are hardened to minimize wear. Although designed for oil and grease service the ball bearing swivel can also be used with other fluids which will not adversely affect the swivel's packing, ball bearings or body and vacuum service. The maximum pressure is 3000 PSI.



Straight

Angle



Pipe Size in Inches	Part Number		Balls Dia. No.	Dimensions, In. (mm)					
	90° Angle	180° Straight		Nut A	Nut B	Head C	Length L	Flat T	Flat W
1/8*	509-400-000	509-402-000	0.09 (2.3) 14	0.87 (22.2)	1.01 (25.8)	0.75 (19.0)	2.28 (57.9)	0.31 (7.9)	0.25 (6.3)
1/4*†	509-405-000	509-406-000	0.09 (2.3) 18	1.00 (25.4)	1.15 (29.2)	0.93 (23.8)	2.75 (69.8)	0.43 (11.1)	0.31 (7.9)
3/8	503-704-002	503-705-002	Ball Bearing	1.37 (34.9)	1.62 (41.2)	1.12 (28.5)	3.93 (100.0)	0.56 (14.2)	0.37 (9.5)
1/2	503-706-001	503-707-001	Ball Bearing	1.75 (44.4)	2.03 (51.6)	1.62 (41.2)	4.50 (114.3)	0.75 (19.0)	0.43 (11.1)
3/4	503-708-001	503-709-001	Ball Bearing	1.87 (47.6)	2.18 (55.5)	1.75 (44.4)	5.37 (136.5)	0.93 (23.8)	0.50 (12.7)
1	503-710-001	503-711-001	Ball Bearing	2.25 (57.1)	2.59 (65.8)	2.00 (50.8)	6.25 (158.7)	1.18 (30.1)	0.56 (14.2)

* Maximum Pressure is 1500 psi. † Available with Viton seals

Note: Equivalent millimeter dimension appears in parentheses next to decimal figure in inches.

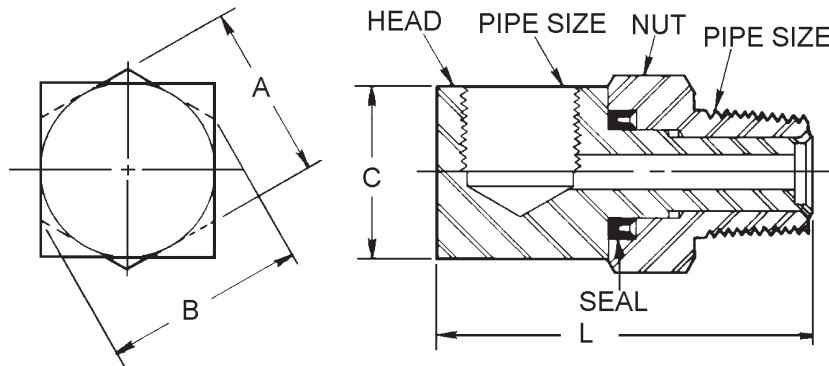
COMPACT SWIVELS

The light duty Compact Swivels are manufactured without ball bearings and are not intended for constant rotary, or oscillating movement. They should be used only for positioning a connection, or where occasional movement is required. Maximum pressure is 500 psi. Part number 501-257-000 is also available in stainless steel as part number 501-257-190.



Straight

Angle



Pipe Size in Inches	Part Number		Dimensions, In. (mm)			
	90° Angle	180° Straight	Nut A	Nut B	Head C	Length L
1/8*†	501-257-000	501-258-000	0.56 (14.2)	.065 (16.6)	0.56 (14.2)	1.12 (28.5)
1/4	501-255-000	501-256-000	0.75 (19.0)	1.06 (26.9)	0.75 (19.0)	1.62 (41.2)

† Available with Viton seals.

Note: Millimeter dimension appears in parentheses next to decimal figure in inches.

Look to LUBRIQUIP, INC., for all of your Centralized Lubrication System needs.

Products include:

DIVIDER VALVES: for oil and grease...to 7500 PSI... 1 to 24 points from a single valve assembly...up to 256 points from a Master/Secondaries circuit...or systems that handle an entire plant.

PUMPS: fixed and variable displacemnt...manual and air, hydraulic, electric motor or mechanically driven.

TIMERS/AUTOMATIC CONTROLS: from simple on/off to complete flow and pressure monitoring, either time or machine-actuated.

ACCESSORY VALVES: balancing, check and flow.

Lubriquip endorses the SAE recommendation of ISO 18/14 (ISO 4406) oil cleanliness for most bearing applications. Some high speed bearings may require cleaner oil. Consult the bearing manufacturer for recommendation.